


BM450

 L×W×H(mm): 30×55.8/44/56×30.6mm
 30×29.2×30.1mm

- 1 Form A contact arrangement;
- Carrying current 40A continuously at 85°C; Shell types available;
- Typical applications: new energy automobile.

Ordering Information 订货说明

<u>WM450</u> 1	- <u>12</u> 2	<u>S</u> 3	- <u>A</u> 4	- <u>B</u> 5	- <u>P</u> 6	<u>40</u> 7	<u>XXX</u> 8
1 Part number 型号: BM450							
2 Coil rated Voltage (VDC) 线圈电压: 12: 12V; 24: 24V							
3 Enclosure 封装方式: S: Sealed 密封式							
4 Contact Form 触点形式: A: 1 Form A;							
5 Shell Structure 外壳安装类型: A: A type mounting flange (A型安装外壳); B: B type mounting flange (B型安装外壳) L: L type mounting flange (L 型安装外壳); Nil: Without mounting flange 外壳不带安装法兰							
6 Terminals 引出脚方式: P: PCB type 为 PCB 焊接式; Nil: QC type 快接式							
7 Contact load 触点负载: 40: 40A/450VDC							
8 xxx: Customer special code 客户特殊要求							

Contact Data 触点参数

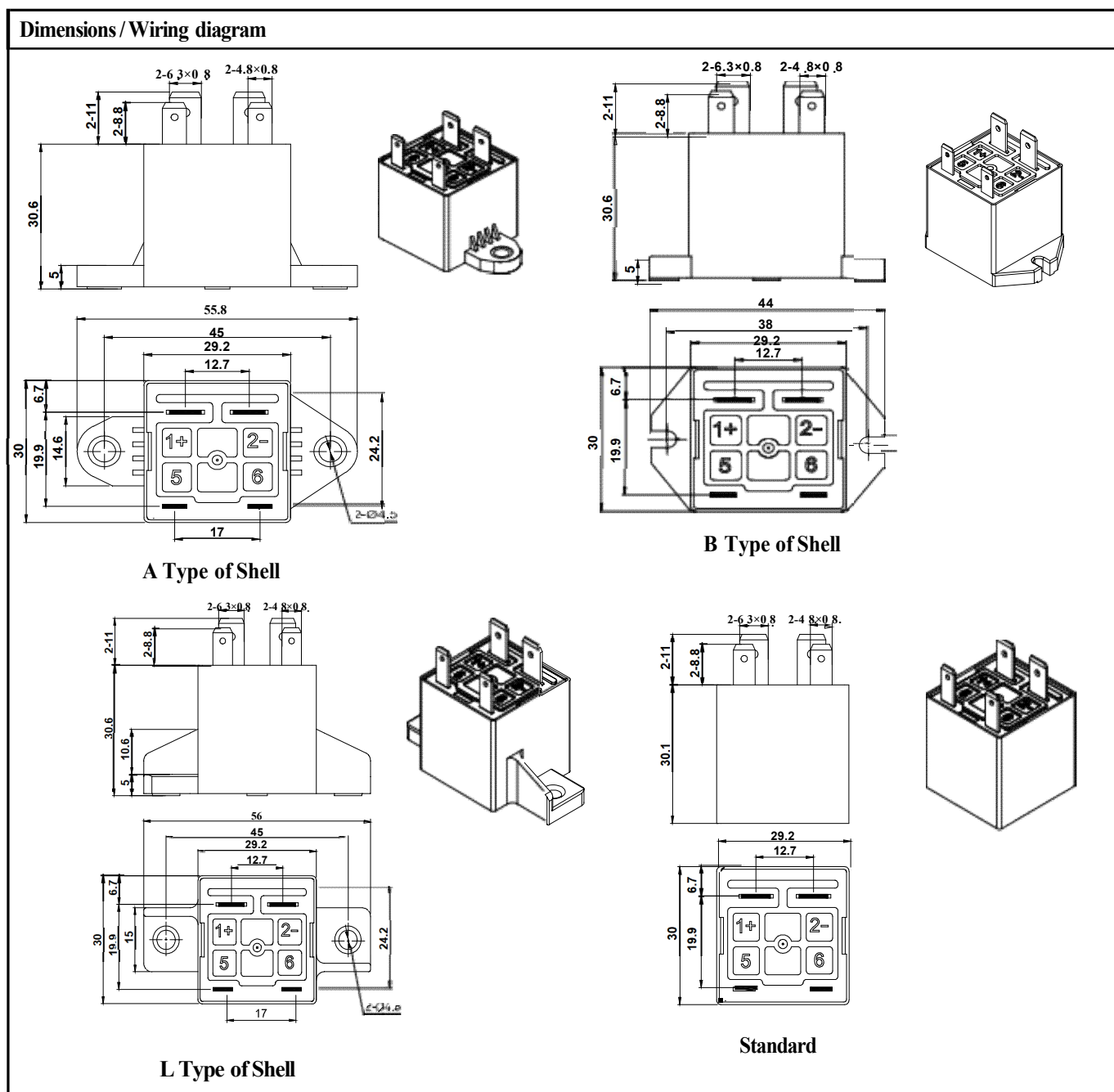
Contact Form 触点形式	1A (1 Form A)	
Contact Material 触点材料	Silver alloy	
Contact Rating (resistive) 触点负载 (阻性)	40A/450VDC	
Max. Breaking Current 最大断开电流	40A @ 450VDC (50ps)	
Max. Switching Voltage 最大切换电压	750VDC	
Max. Switching Power 最大切换功率	18000W	
Contact Resistance or Voltage drop 接触电阻或接触压降	≤5mΩ (@ 20A)	
Mechanical Life 机械寿命	2×10 ⁵ cycles	
Electrical Life 电气寿命 (at 23 °C) 常温 0.6s on 5.4s off 0.6秒通 5.4秒断	1*10 ³ cycles (40A/450VDC)	1*10 ⁴ cycles (10A/450VDC)

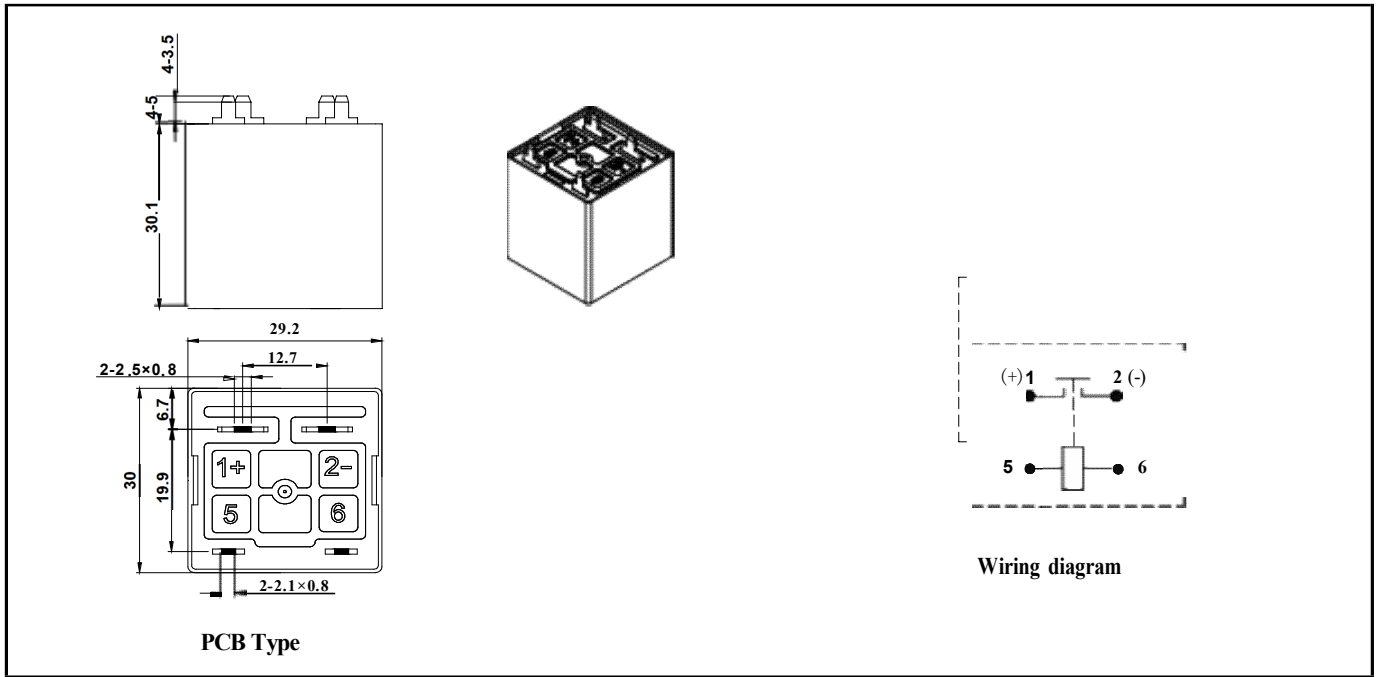
Coil Parameter 线圈参数

Dash numbers 规格	Coil voltage 线圈电压(VDC)		Coil resistance 线圈电阻 Ω±10%	Pickup voltage VDC (Max.) 最大起动作电压	Release voltage VDC(Min.) 最小释放电压	Coil power 线圈功率	Operate Time 起动时间	Release Time 释放时间
	Rated 额定	Max. 最大						
12V	12	15.6	48	9	1	3W	<30 ms	<10 ms
24V	24	31.2	192	18	2			

Operation condition 工作条件

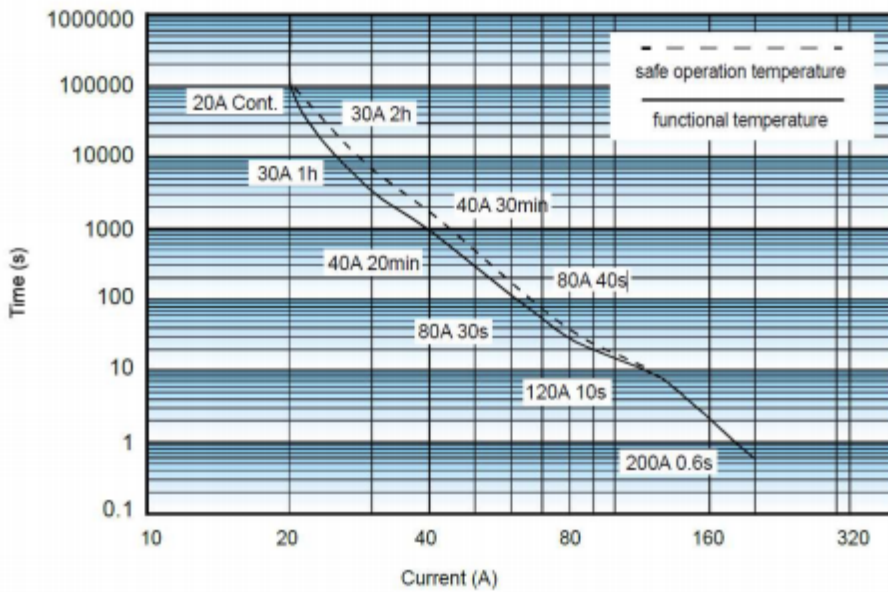
Insulation Resistance 绝缘电阻		1000MΩ Min. (at 500VDC)
Dielectric Strength 介质耐压	Between Contacts	2500VAC/1 min. (test current: 10mA)
	Between Coil and Contacts	3000VAC/1 min. (test current: 10mA)
Ambient Temperature 环境温度		-40°C ~ +85°C
Shock resistance 抗冲击	Functional 稳定性	196m/s ²
	Destructive 强度	490m/s ²
Vibration resistance 抗震		10 ~ 500Hz, 49m/s ²
Relative Humidity 相对湿度		5% ~ 85%RH
Terminal type 脚位类型		PCB type 为 PCB 焊接式; QC type 快接式
Weight 重量(Approx.)		48g (A type), 50g (L type)

Layout (Unit: mm) 外形尺寸、接线图




Characteristic Curves 特性曲线

Endurance Capacity Curve



Pick-up Voltage / Drop-out Voltage Curve

