

# BM652

**23.2×15.5×25.5**

## **QUICK DETAILS 特点**

Brand Name: Sinetong

Model Number:BM652

Theory: Automotive Relay

Size: Miniature;

Contact load capacity up to 30A;

PC board mounting and insert mounting available;

Sealed type available.

## **ORDER INFORMATION**

**BM652 - 12 -A - R - P - S 1.6 XXX**

**1 2 3 4 5 6 7 8**

1 Part number 继电器型号: BM652

2 Coil rated Voltage(VDC)线圈额定电压: 6: 6V; 12:12V; 24: 24V;

3 Contact Form 触点形式: A: 1A; B: 1B; C: 1C;

4 Coil transient suppression 线圈瞬态抑制: D: with diode.带二极管; R: with resistance 带电阻; Nil: standard 常规

5 Terminals 引出脚方式: P: PCB type, PCB 焊接式; Nil: QC type 快接式

6 Enclosure 封装方式: S: Sealed 密封式; Nil: unsealed 不密封

7 Coil power 线圈功率: 1.6: 1.6W(standard); 1: 1W

8 XXX: Customer special specification 客户特殊要求

## **COIL DATA**

NO.	Coil Voltage VDC		Coil Resistance $\Omega \pm 10\%$	Pick-up Voltage VDC (Max.)	Drop-out voltage VDC (Min.)	Coil Power	Operate Time	Release Time
	Rated	Max.						
006	6	7.8	22.5/35	4.2	0.6	1.6W/ 1W	$\leq 10\text{ms}$	$\leq 10\text{ms}^*1$
012	12	15.6	90/140	8.4	1.2			
024	24	31.2	360/560	16.8	2.4		$\leq 15\text{ms}$	$\leq 15\text{ms}^*2$

Notes: \*1) With resistance + 5ms; Withdiode + 10msdiode + 10ms

\*2) With diode + 10ms

## **CONTACT DATA (at 20°C)**

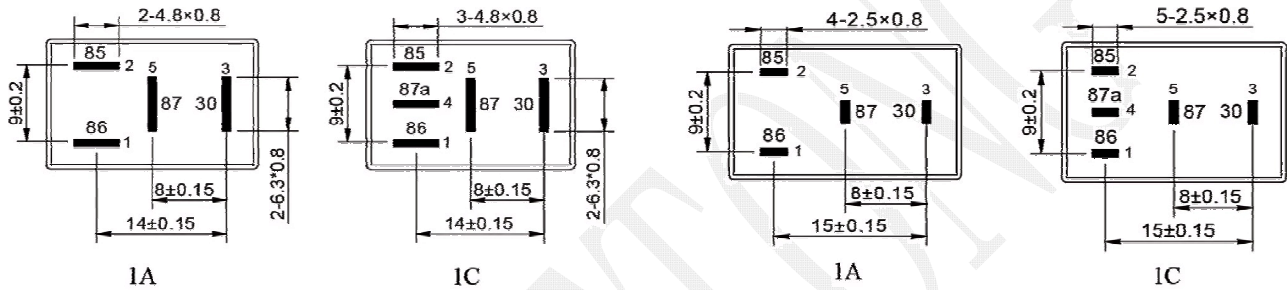
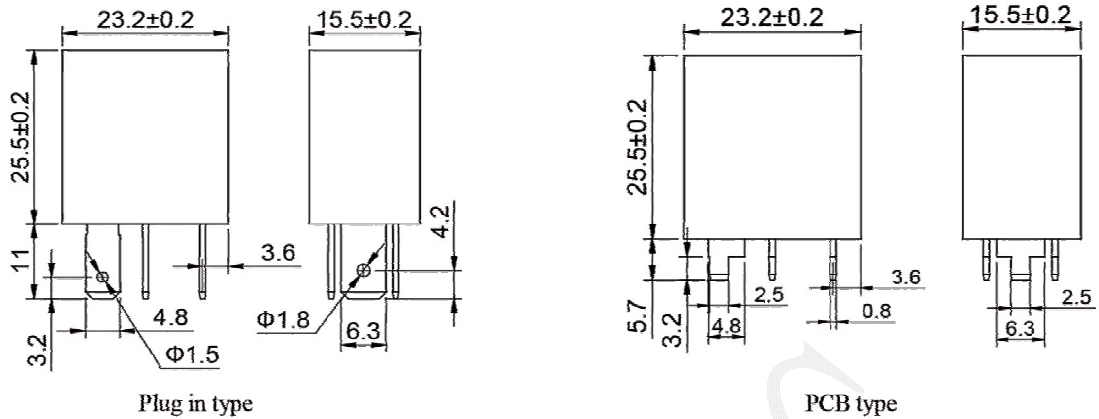
Contact Form	1A (SPSTNO) 、 1B (SPSTNC) 、 1C (SPDT(B-M))		
Contact Material	Ag Alloy		
Contact Load	1A	1B	1C
	30A/14VDC	20A/14VDC	NO:30A/14VDC NC: 20A/14VDC
Max. Switching Power	420W		
Max. Switching Voltage	75VDC		
Max. Switching Current	30A		
Contact Resistance	100m $\Omega$ (1A , 24VDC)		
Life	Electrical	1*10 <sup>5</sup>	
	Mechanical	1*10 <sup>7</sup>	

## **GENERAL DATA**

Insulation Resistance	100M $\Omega$ Min.(at 500VDC)
Dielectric Strength	Disconnect Between Contact: 500VAC
	Between Coil & Contacts: 750VAC/min
Anti Vibration Type	10Hz~40Hz Double Amplitude 1.27mm
Shock resistance	100m/s <sup>2</sup> 11ms
Terminals strength	100N, 50N(for PCB type)
Solderability	235°C $\pm$ 2°C 3 $\pm$ 0.5s
Ambient Temperature	-40°C~85°C (No freezing)
Relative Humidity	85% RH , 40°C
Weight	20g

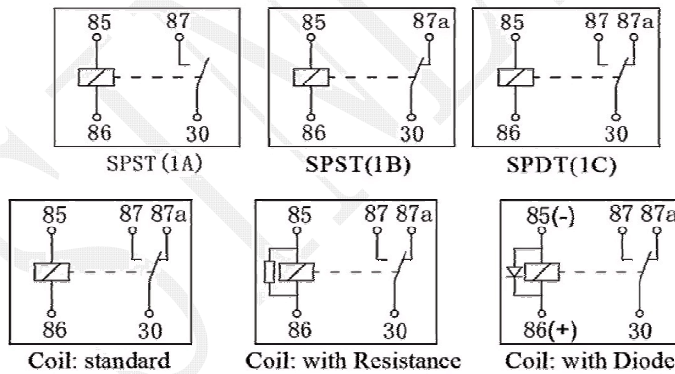
## Installation Diagram (Unit: mm)

### Dimensions / Wiring diagram (Bottom views)



Terminal Layout  
Plug in type (Bottom views)

Terminal Layout  
PCB type (Bottom view)



Wiring diagram (Bottom views)

- Remarks: (1) In case of no tolerance shown in outline dimension: outline dimension  $\leq 1\text{mm}$ , tolerance should be  $\pm 0.2\text{mm}$ ; outline dimension  $\geq 5\text{mm}$ , tolerance should be  $\pm 0.3\text{mm}$ ; outline dimension  $> 5\text{mm}$ , tolerance should be  $\pm 0.4\text{mm}$
- (2) The tolerance without indicating for PCB layout is always  $\pm 0.1\text{mm}$ .