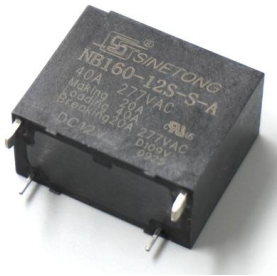


**SINETONG INTERNATIONAL(SINGAPORE)PTE.,LTD.**



# NB160

(30.6\*16.2\*24.8)mm

## **QUICK DETAILS**

Brand Name: SINETONG

Theory:Power Relay

Model Number:NB160

Contact Load: High Power

Size:Miniature

## **PRODUCT ADVANTAGE**

- 1.Can be welded directly onto PCB.
- 2.40A/43A contact switching capability.
- 3.Used in household appliance, new energy, charging stations and etc.

## **ORDER INFORMATION**

**NB160 — 12VDC — S — A — X**

1            2            3            4            5

1. Model: NB160
2. Coil Rated Voltage(VDC): 6, 9, 12, 24, 48;
3. Contact material: S: AgSnO2
4. Contact Form: A: 1A
5. Customer code: X D109V: G-1.5mm

## **CONTACT DATA**

Contact Arrangement		1A
Contact Material		AgSnO <sub>2</sub>
Contact Rating (resistive)		Resistive: : 40A 250VAC; Making 20A,Loading 40A,Breaking 20A 277VAC.
Max. Switching Power		15000VA
Max. Switching Voltage		277VAC
Contact Resistance or Voltage drop		≤50m Ω
Operation life	Electrical	1、 40A:5*10 <sup>4</sup> 2、 20 Amps ON, with 40 Amps load current and 20 Amps off: 5*10 <sup>4</sup> 次
	Mechanical	10 <sup>7</sup>

## **COIL DATA**

Coil voltage (VDC)		Coil Resistance (Ω ±10%)	Pick-up Voltage(Max.) (VDC) (70%of rated voltage )	Drop-out Voltage(Min.) (VDC) (10% of rated voltage)	Coil Power Consumption (W)	Operate Time (ms)	Release Time (ms)
Rated	Max.						
5	6	20.8	3.75	0.5	1.2	≤20	≤10
12	14.4	120	9.0	1.2			
24	28.8	480	18.0	2.4			
48	57.6	1920	36.0	4.8			

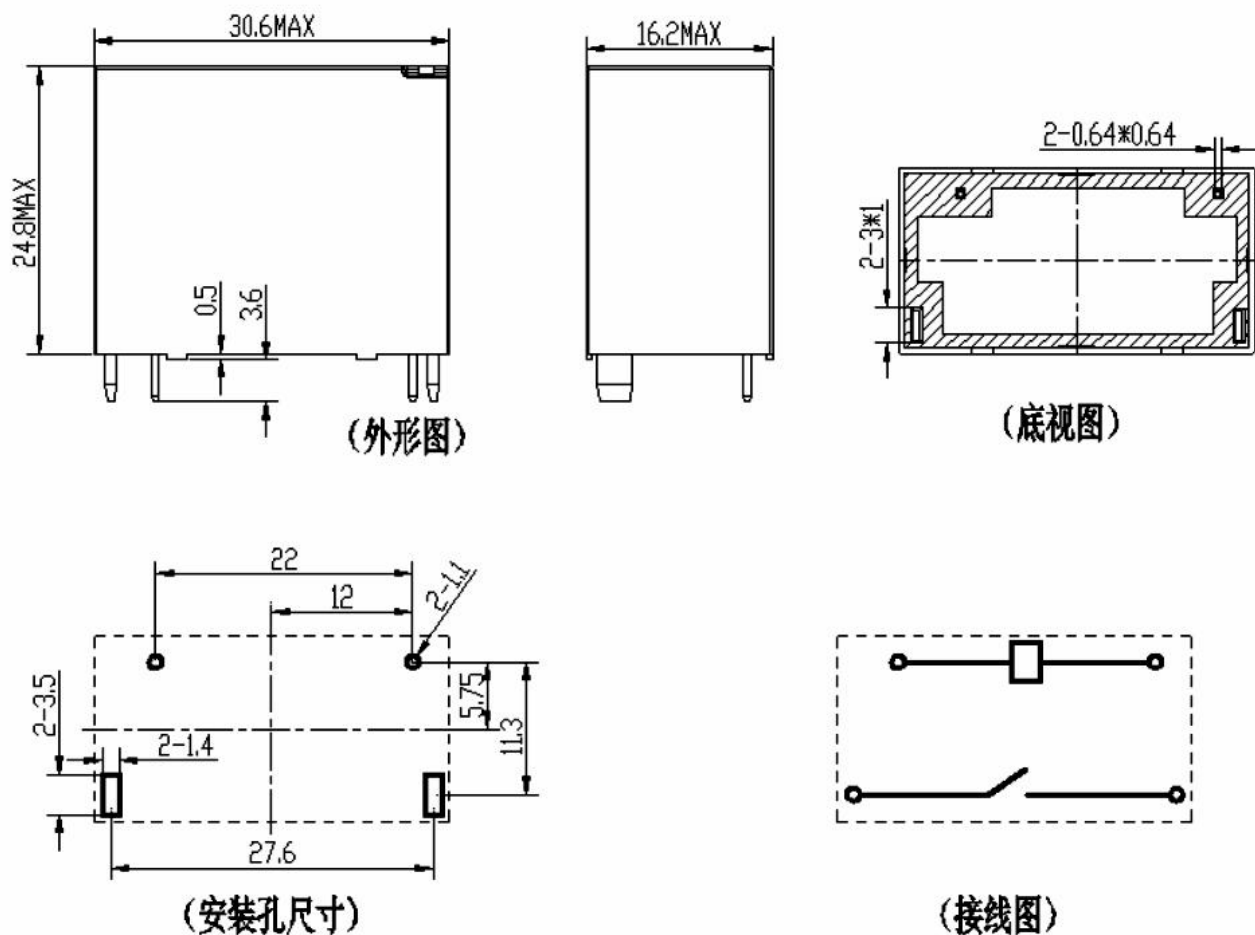
**CAUTION:** 1). If the working coil voltage is less than rated, it will compromise the operation of the relay.  
2). Operating and release voltages are for testing purpose only, not to be used as design criteria

## **GENERAL DATA**

Insulation Resistance		1000M Ω min. (at 500VDC)
Dielectric Strength	Between Contacts	50Hz 3000V
	Between Contact and coil	50Hz 4500V

Shock Resistance	Functional:100m/s <sup>2</sup> 11ms Endurance:1000 m/s <sup>2</sup> 11ms
Vibration Resistance	10~55Hz Double amplitude Functional 1.5mm Double amplitude Endurance 2.0mm
Solder Ability	230°C ± 2°C 10 ± 0.5s
Ambient Temperature	-40~85°C
Relative Humidity	20~85%
Weight	25g

## Installation Diagram



NOTES 1).Dimensions are in millimeter.

2).Inch equivalents are given for general information only